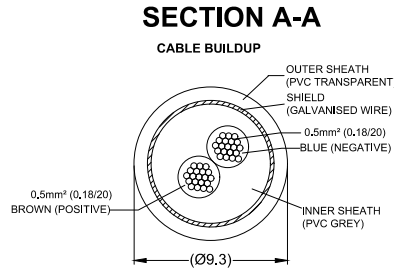
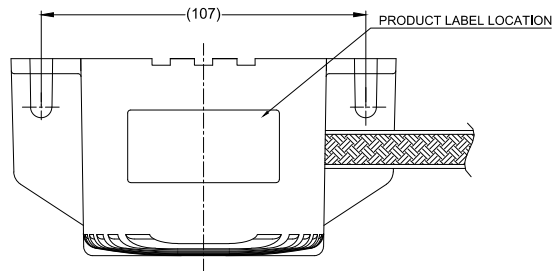
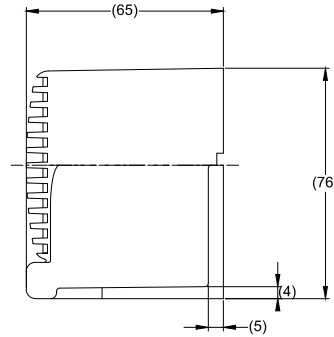
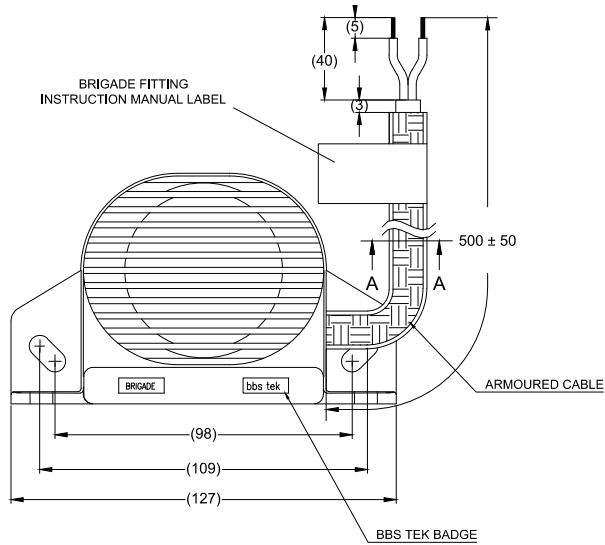
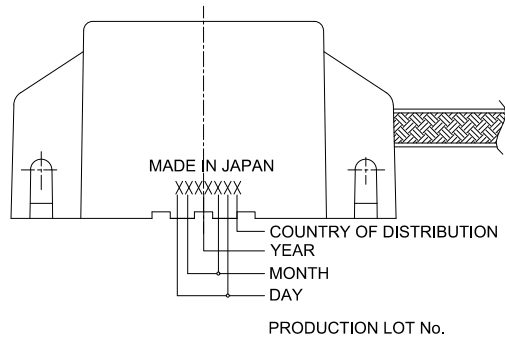


Revision Notes:				
R1 -				
APA: -	Drawn:	Checked:	Approved:	Date:



**SPECIFICATIONS**

- |                           |   |
|---------------------------|---|
| 1. RATED VOLTAGE:         | 12V - 24V DC.   |
| 2. WORKING VOLTAGE RANGE: | 9V THROUGH 32V.   |
| 3. RATED CURRENT:         | LESS THAN 300mA AT RATED VOLTAGE.   |
| 4. SOUND PRESSURE:        | 92dB ± 4 AS DETERMINED AT DISTANCE OF 1.2M IN FRONT OF BODY AT HEIGHT. OF 1M ABOVE GROUND AT RATED VOLTAGE. |
| 5. INTERMITTENCY:         | 80 ± 10 CYCLES/MIN. AT RATED VOLTAGE.   |
| 6. TONE:                  | WHITE SOUND(BBS)  |
| 7. ENVIRONMENTAL:         | TESTS PER SAE J994.   |



A = AUSTRALIA  
E = EUROPE  
U = USA

- NOTES:**
- FINISH: BLACK
  - HOUSING MATERIAL: AES PLASTIC.
  - CABLE SHEATH MATERIAL: PVC.
  - FOR PACKAGING & LABELING DETAIL REFER TO THE LATEST REVISION OF THE MASTER BOM

**PROPRIETARY NOTICE**

THIS DESIGN AND TECHNICAL INFORMATION APPEARING ON THIS DRAWING IS THE PROPERTY OF BRIGADE ELECTRONICS, AND IS DISCLOSED IN CONFIDENCE. IT IS NOT TO BE COPIED, REPRODUCED, REVEALED TO OR EXPROPRIATED BY OTHERS, EITHER IN WHOLE OR IN PART WITHOUT THE EXPRESS WRITTEN CONSENT OF BRIGADE ELECTRONICS.



Assembly Pl Approval W. FUKUZAWA		Approved by A. KEBEDE		Checked by E. MATHEW		Drawn by J. YU	
Angle of Projection		Units mm	Scale N/A	Released 19/03/2025	Assembly Ref -		
Third Angle		Status RELEASED		BBS-92ADR			
		Part No 2165B		BE-005020-00-25			